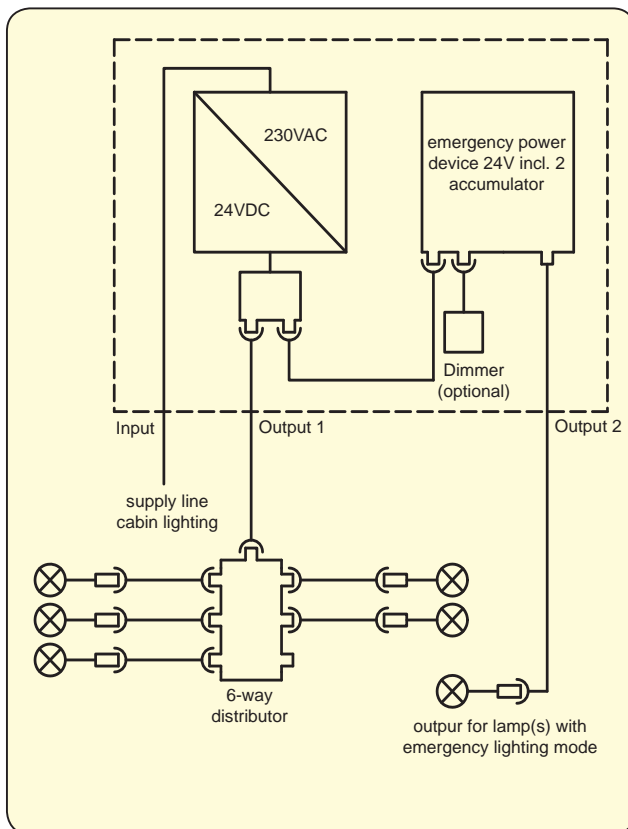


Emergency cabin lighting



Technical data power supply with emergency power device:

Input:	100-240V AC 50Hz/60Hz 2m supply line H05VV-F 2x0.75mm ²
Output 1:	24VDC with 3m connecting line LIYY 3x0,34mm ² to 6-way distributor (Lamps don't lit up during emergency mode)
Output 2:	24VDC with 3m connecting line LIYY 3x0,34mm ² to lamp (Lamp do lit up during emergency mode)
Lamps per power supply:	LED3 max. 12 pcs. among those max. 6 with emergency mode LED5 max. 6 pcs. among those max. 4 with emergency mode LED7 max. 6 pcs. among those max. 2 with emergency mode
Input :	for cabin light switch-off on purpose (potential-free contact in the control system)
Output:	potential-free signal contact „Battery capacity low“ 1x changer, 30VDC 1A SELV
Battery:	2x lead fleece gel accumulator 12V 1,2Ah connection in series
Protection type:	IP20
Operating temperature:	-10°C till 50°C
dimensions:	L:255 x W:180 x H:90mm

Operating mode:

The emergency power unit is suitable for the illumination during normal operation and during emergency power operation. Output 2 is supplied with power without interruptions. The capacity of the interior lead accumulators is controlled in compliance with EN81-28. If the rated capacity is not reached, this is indicated by a potential free contact. During emergency power operation, the accumulators are protected against being destroyed by a deep discharge. During mains operation they are continuously charged with a trickle charge.

Through an input, the emergency power unit can be informed about an intended disconnection of the cabin light. If the light voltage is interrupted and the input is triggered at the same time, the emergency power unit does not switch to emergency power supply.

Optionally a dimmer can be connected to the emergency power unit. During normal operation all lamps are lighted with the adjusted brightness. During emergency power operation the emergency lamps are lighted without being dimmed.

In general the emergency power unit is suitable for operating one emergency lamp. By means of a 6way distributor (which is not included in the delivery) several lamps can be triggered (see the "Technical data").



Art.No.	Description
---------	-------------

20421	CabinLED-NSG-24V-60W-3pol
-------	---------------------------

- 1x emergency power supply IP20 equip and pre-wired with:
- power supply 230VAC/24VDC with 2m supply line H05VV-F 2x0.75mm²
 - emergency supply with capacity monitoring acc. EN81-28
 - 2x battery 12V/1.2Ah
 - 1x outgoing line 3m LIYY 3x0.34mm² with 6-way distributor
 - 1x outgoing line 3m LIYY 3x0.34mm² with connector

Art.no.	Description
---------	-------------

20419	CabinLED-6-way-distributor-3pol
-------	---------------------------------

- 1x 6-way distributor with 3m connecting line LIYY 3x0.34mm²



© 09/2011